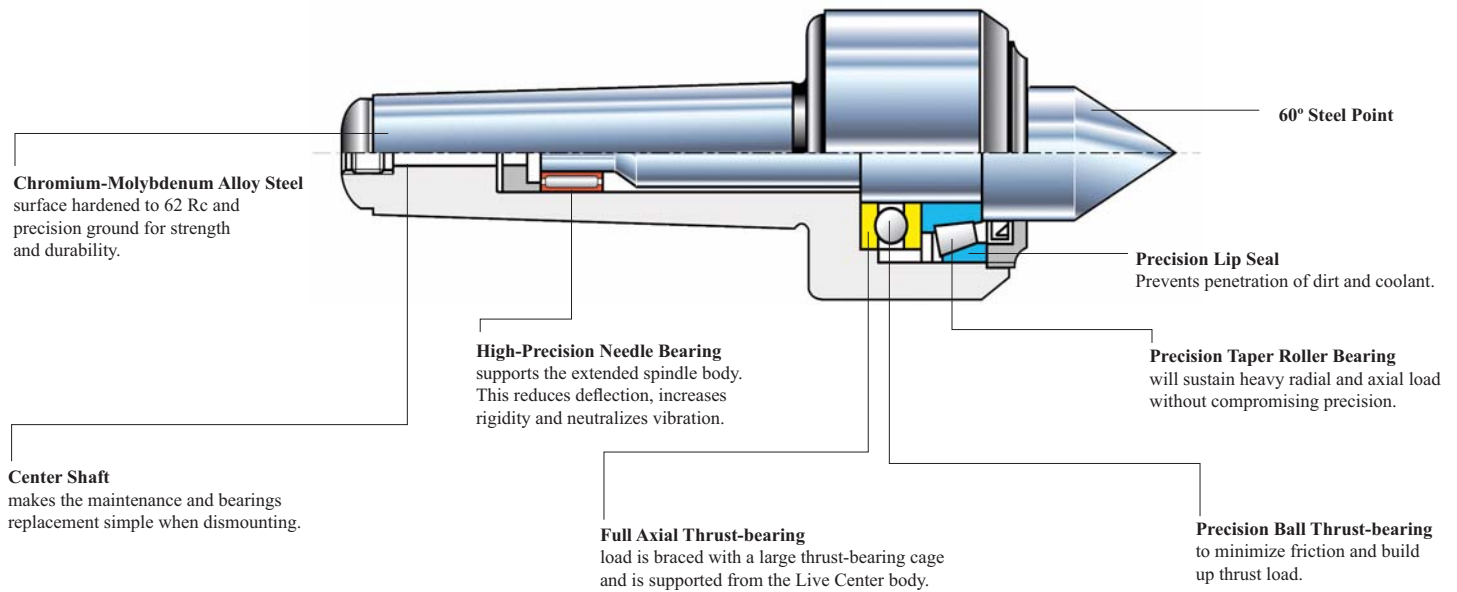


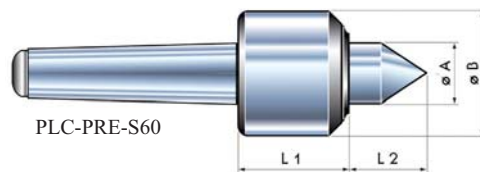


# Perfetta™ Precision Live Center

- THREE BEARINGS
- HIGH ACCURACY
- HIGH SPEEDS
- MEDIUM APPLICATION
- LIFE TIME LUBRICATION
- LONG LIFE



**Precision Live Center**



Precision Live Center		Specifications								
UPC 733101-	Description	A	B	L1	L2	Morse Taper	Weight (lb)	Max. RPM	Max. workpiece weight (lb)	Thrust load (lb)
48200	PLC-PRE-S60-MT1	0.63	1.49	1.45	0.79	1	1.10	8500	98	365
48201	PLC-PRE-S60-MT2	0.87	1.89	1.65	0.98	2	2.00	6000	220	792
48202	PLC-PRE-S60-MT3	0.87	2.17	1.69	1.60	3	2.20	5000	572	1144
48203	PLC-PRE-S60-MT4	1.14	2.40	2.00	1.49	4	3.50	4000	1078	1320
48204	PLC-PRE-S60-MT5	1.49	3.15	2.16	1.77	5	7.70	3000	1672	1430
48205	PLC-PRE-S60-MT6	1.65	3.70	2.67	2.67	6	17.60	2500	3388	3300