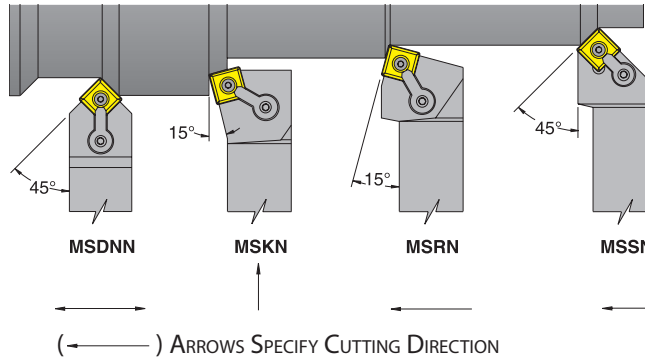
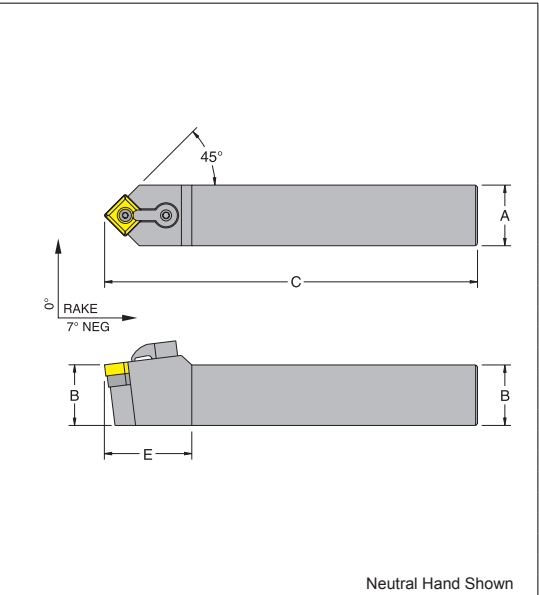




**MS - Style Toolholders**

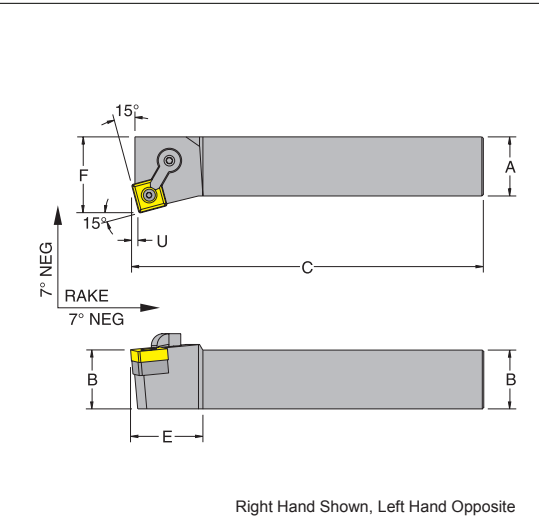


Inch Description		Part No. 733101-		A	B	C	E	SNM_Gage Insert	Seat	Lock Pin	Clamp	Clamp Screw	Optional Seat Screw
MSDNN08-3A		50392		0.500	0.500	4.00	1.000	322	ISSN-322	NL-34	CL-6	XNS-36	S-34
MSDNN08-3B		50394		0.500	0.500	4.50	1.000						
MSDNN10-3B		50396		0.625	0.625	4.50	1.000						
MSDNN12-3B		50398		0.750	0.750	4.50	1.000						
MSDNN12-4B		50400		0.750	0.750	4.50	1.375	432	ISSN-433	NL-46	CL-9	XNS-59	S-46
MSDNN16-4D		50402		1.000	1.000	6.00	1.375						
MSDNN85-4D		50404		1.000	1.250	6.00	1.375						
MSDNN16-5D		50406		1.000	1.000	6.00	1.625	543	ISSN-533	NL-58	CL-12	XNS-510	S-58
MSDNN20-5D		50408		1.250	1.250	6.00	1.625						
MSDNN85-5D		50410		1.000	1.250	6.00	1.625						
MSDNN86-5E		50412		1.000	1.500	7.00	1.625						
MSDNN16-6D		50414		1.000	1.000	6.00	1.750	643	ISSN-633	NL-68	CL-12	XNS-510	S-68
MSDNN20-6D		50416		1.250	1.250	6.00	1.750						
MSDNN20-6E		50417		1.250	1.250	7.00	1.750						
MSDNN24-6E		50418		1.500	1.500	7.00	1.750						
MSDNN85-6D		50420		1.000	1.250	6.00	1.750						
MSDNN86-6E		50422		1.000	1.500	7.00	1.750						



For inserts see PAGES 16-33. For spare parts see PAGES 112-113.

Inch Description		Part No. 733101-		A	B	C	E	F	U	SNM_Gage Insert	Seat	Lock Pin	Clamp	Clamp Screw	Optional Seat Screw
MSKNR/L08-3A		50432 50433		0.500	0.500	4.00	1.000	0.625	0.900	322	ISSN-322	NL-34	CL-6	XNS-36	S-34
MSKNR/L08-3B		50436 50437		0.500	0.500	4.50	1.000	0.625	0.900						
MSKNR/L10-3B		50440 50441		0.625	0.625	4.50	1.000	0.750	0.900						
MSKNR/L12-3B		50444 50445		0.750	0.750	4.50	1.000	0.875	0.900						
MSKNR/L12-4B		50448 50449		0.750	0.750	4.50	1.250	1.000	0.122	432	ISSN-433	NL-46	CL-9	XNS-59	S-46
MSKNR/L16-4C		50452 50453		1.000	1.000	5.00	1.250	1.250	0.122						
MSKNR/L16-4D		50456 50457		1.000	1.000	6.00	1.000	1.250	0.122						
MSKNR/L16-5D		50460 50461		1.000	1.000	6.00	1.375	1.250	0.151	543	ISSN-533	NL-58	CL-12	XNS-510	S-58
MSKNR/L20-5D		50464 50465		1.250	1.250	6.00	1.375	1.500	0.151						
MSKNR/L85-5D		50468 50469		1.000	1.250	6.00	1.375	1.250	0.151						
MSKNR/L20-6D		50472 50473		1.250	1.250	6.00	1.500	1.500	0.183						
MSKNR/L24-6D		50476 50477		1.500	1.500	6.00	1.500	2.000	0.183	643	ISSN-633	NL-68	CL-12	XNS-510	S-68
MSKNR/L24-6E		50480 50481		1.500	1.500	7.00	1.500	2.000	0.183						



For inserts see PAGES 16-33. For spare parts see PAGES 112-113.