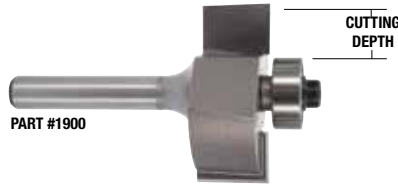


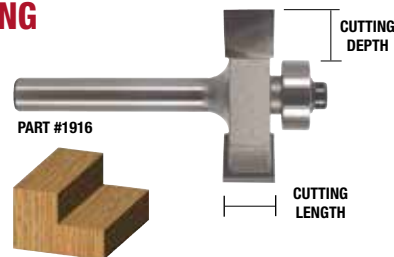


RABBET BITS



Part #	Large Dia.	Cutting Length	Cutting Depth	Bearing Number
1/4" SHANK				
1880	7/8"	1/2"	1/4"	B2
1900	1-1/4"	1/2"	3/8"	B3
1951	1-3/8"	1/2"	1/2"	B2
1/2" SHANK				
1885	7/8"	5/8"	1/4"	B2
1901	1-1/4"	1/2"	3/8"	B3
1954	1-3/8"	1/2"	1/2"	B2
1959	1-7/8"	1"	3/4"	B2

SLOTING & RABBETING



Wood blocks are not to scale.

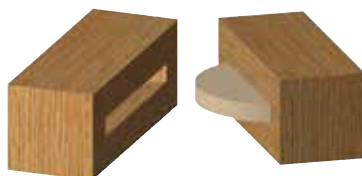
Part #	Large Dia.	Cutting Length	Cutting Depth	Overall Length
1/4" SHANK				
1904	1-1/4"	1/8"	3/8"	2"
* 1908	1-1/2"	5/32"	1/2"	1-3/4"
1912	1-1/4"	1/4"	3/8"	2"
1916	1-1/4"	3/8"	3/8"	2"
1920	1-1/2"	1/2"	1/2"	2"
1/2" SHANK				
1906	1-1/4"	1/8"	3/8"	2"
* 1910	1-1/2"	5/32"	1/2"	2"
1914	1-1/4"	1/4"	3/8"	2"
1918	1-1/4"	3/8"	3/8"	2-1/8"
1922	1-1/2"	1/2"	1/2"	2-1/4"
1924	1-1/4"	3/4"	3/8"	2-1/2"

* Proper Size for Biscuit Joining
B3 Bearing supplied

BB501 - Bearing kit with wrench (see pg. 35). Increase the versatility of your Rabbeting Bits by simply changing the bearing size to vary your cutting depth. This set allows 1/4", 5/16", 3/8", & 7/16" cutting depth on all 1-1/4" bits or 3/8", 7/16", 1/2", & 9/16" cutting depth on all 1-1/2" bits.

BISCUIT JOINING KIT

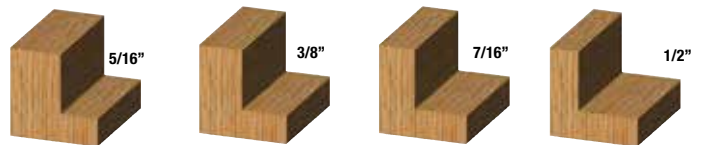
Part #	Description
1940	1/4" Shank Kit
1945	1/2" Shank Kit



This kit contains our 5/32" Rabbeting Bit with 1/2" B3 bearing for cutting slots to fit #20 Biscuits. Also includes alternate bearings B14 and B15 to cut slots for #0 and #10 Biscuits. Hex Wrench included.

MULTI RABBET SET

Change your Rabbet depth by changing the bearing! Set includes all eight bearings to make each of the cuts shown. Hex Wrench included.

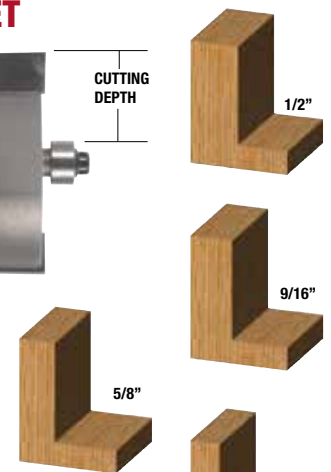


Wood blocks are not to scale.

Part #	Large Dia.	Cutting Length	Description
1952	1-3/8"	1/2"	1/4" Shank Set
1955	1-3/8"	1/2"	1/2" Shank Set

Sets are organized and protected in a plastic case.

DEEP MULTI RABBET SET



Wood blocks are not to scale.

Part #	Large Dia.	Cutting Length	Description
1960	1-7/8"	1"	1/2" Shank Set

Sets are organized and protected in a plastic case.

Our largest Rabbet Bit in a set with five bearings. Makes those extra deep Rabbet cuts as shown. Hex Wrench included.